

MANUAL

Reception Operation Maintenance



By VETAMAC

www.vetamac.com

Table of contents



User Responsibility.....	3
Standard and Optional Features.....	4
Receiving, Assembly and Start-up.....	6-8
Instruction Dental and	9
Instruction "V" Top	10
Use Paws Attachement Brackets	11
Optional Accessories Assembly Instructions	12-13
Heated Top	12
IV pole	13
Cleaning and Disinfection	14
Warranty	15

User

Responsibility



Read this manual before operating the equipment. Pay special attention to all Warnings and Cautions.

This product will perform in conformity with the description contained in this operating manual when assembled, operated, maintained and repaired in accordance with the instructions provided. This product must be checked periodically. A defective product should not be used. Parts that are broken, missing, plainly worn, distorted or contaminated should be replaced immediately. Should such repair or replacement become necessary, Vetamac recommends that a telephone or written request for service be made to the nearest Vetamac service center. This product, or any of its parts should not be repaired other than in accordance with written instructions provided by Vetamac and by Vetamac trained personnel. The product must not be altered without the prior written approval of Vetamac. The user of this product shall have the sole responsibility for any malfunction which results from improper use, faulty maintenance, improper repair, damage, or alteration by anyone other than a qualified Vetamac technician.

Caution: This device is intended for use by veterinarians who are thoroughly familiar with the use of such products. Do not attempt to use this product if you have not previously been trained on the use of elevator tables.

The Vet-Tables

Electric Surgery Table



Standard features include:

- 5 year warranty
- Made in Canada by Vetamac
- Lift capacity of 300 pounds (136 Kg)
- 304 grade stainless steel used for every type of tray top
- Rapid rail tie down system lets you safely position animals
- Silent motor with automatic stops when minimum or maximum height is reached
- Electric components are water resistant
- Manual tilt

Product dimensions:

- Minimum height of 31,25" (78,74 cm) — Maximum height 49" (124,46 cm)
- Weight: 245 lb (111,13 Kg)

Specifications:

- Power source: 120V AC, 2.7Amps, 60HZ
- Operating temperature range: 15°C to 30°C

Optional features include:

- Surgery top
- Dentistry top
- V top
- Exam top
- Heated top with water heat pump

Surgery Top



Dental Top



“V” Top



Exam Top



Receiving, Assembly and start-up

Instructions



Your Vet-Table may require some assembly before use.

Receiving

To keep the possibility of damage during shipment to a minimum, the Vet-Tables are shipped on a pallet.

Instructions

Caution: To avoid injury while removing the unit from the skid always have another person assist you.

Upon receipt and unpacking, inspect both the shipping container and all the enclosed components for signs of damage which may have occurred during transit. Check your materials list to ensure that all the necessary components are included.

Moving the Table

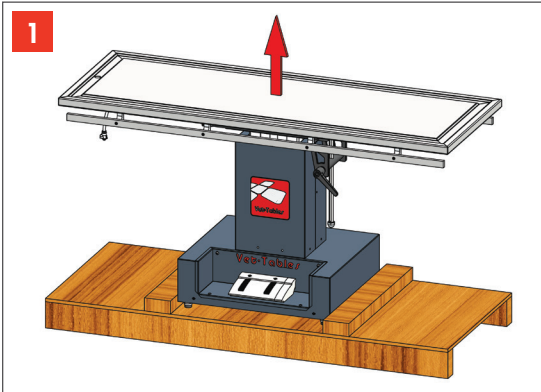
To move the table use a mobile moving platform or a dolly and position it below the base of the unit. **Always be assisted by at least one other person.**

Materials list

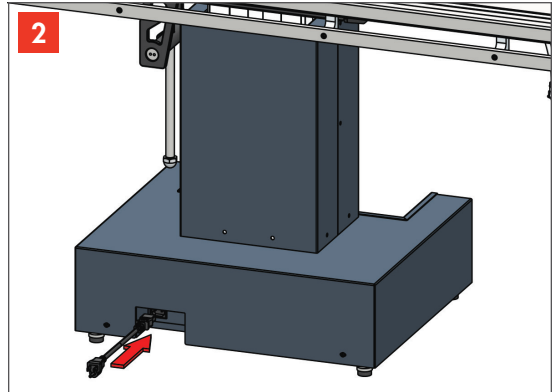
- Table
- 4 x rail tie downs (on surgery top, dental top and v-top only)
- Heated pump (with heated top only)

Receiving, Assembly and start-up

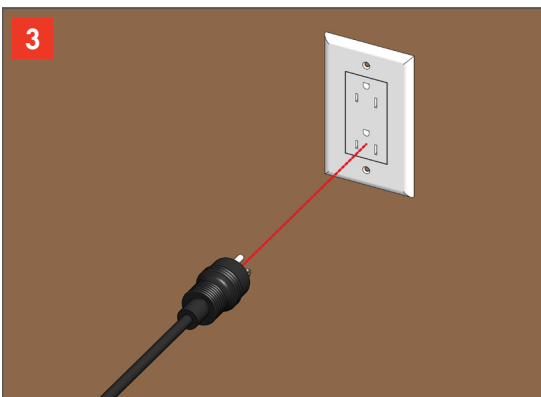
Instructions



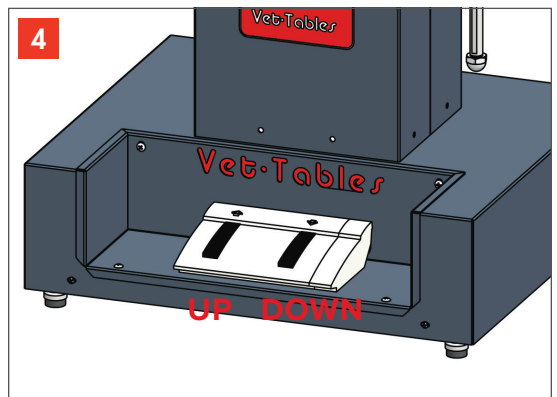
1. Remove the table from the skid. Ask another person to help you.



1. Position the table in the desired location.
2. Adjust the level of the 4 leveling feet.
3. Plug the power cable into the table.



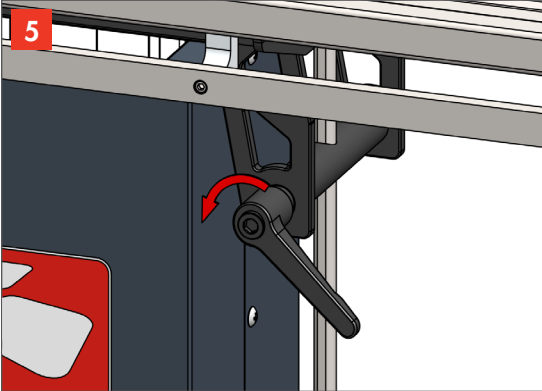
3. Plug unit into electrical outlet.



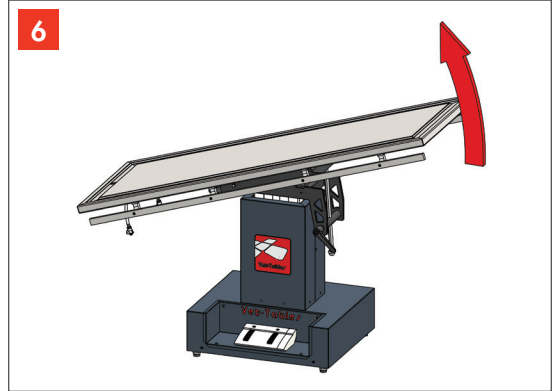
4. Use the single foot pedal for control height of the table.

Receiving, Assembly and start-up

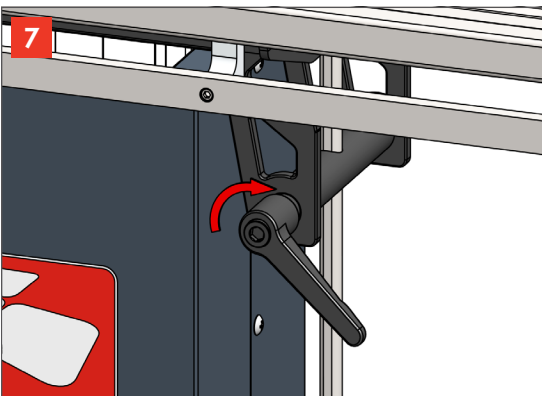
Instructions



To tilt the table turn the indicated handle counter clockwise.



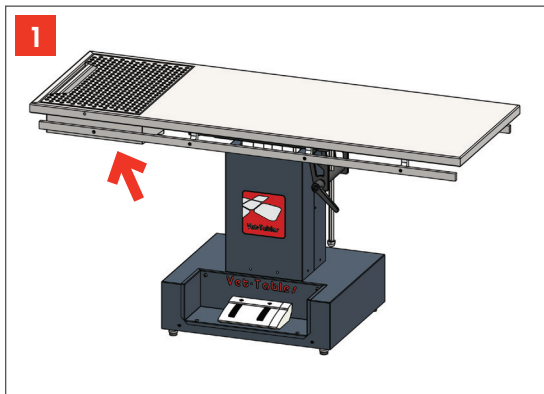
Tilt the table to the desired angle.



Secure the table in place by turning the handle clockwise.

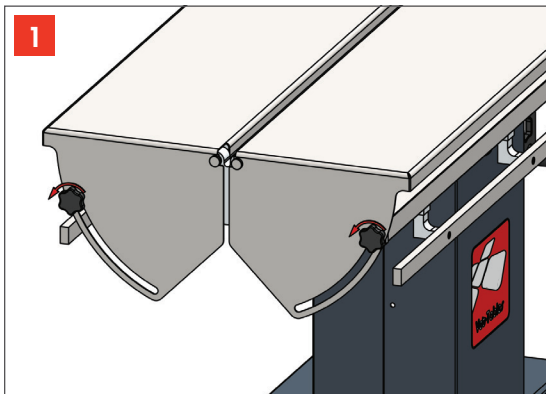
Instruction for tables

dental

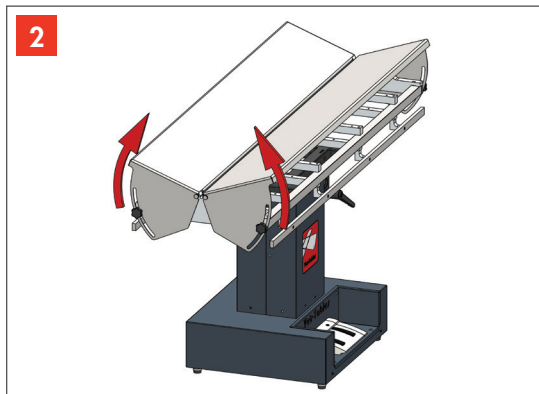


The drain valve is under the basin and is easy to access which allows for fast and easy cleaning of the dental table.

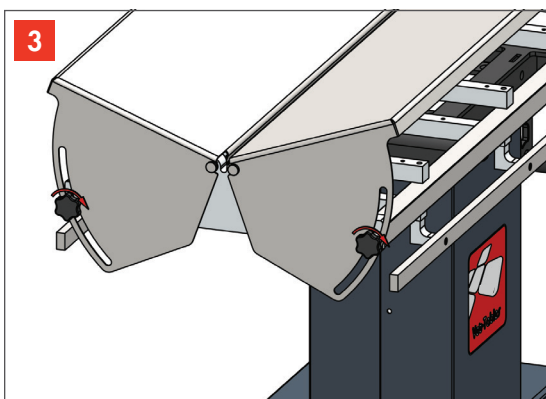
Instruction for table with “V” top



Loosen hand nuts.

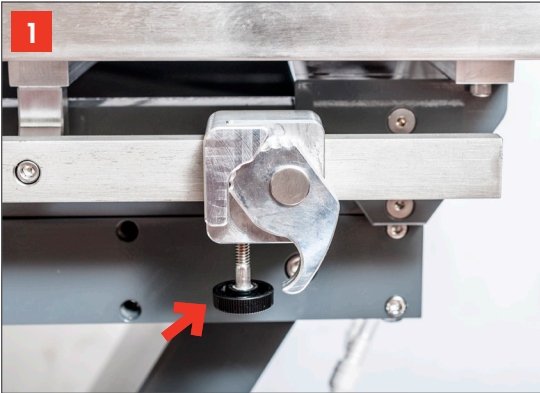


Adjust V angle.

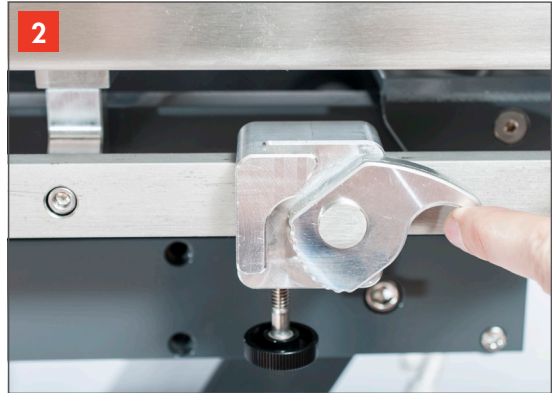


Tighten the hand nuts to lock the V top at the desired angle.

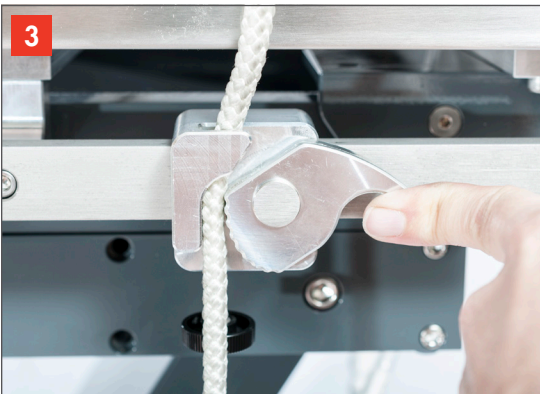
Use of the paw attachment brackets.



1 Place the paw attachment bracket at the desired location and secure it in place with the provided screw.



2 Open the paw attachment arm.



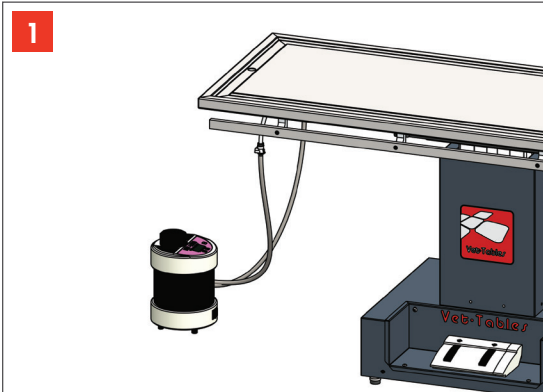
3 Insert your cord (not included with the table).



4 Release the paw attachment arm to secure the cord in place.

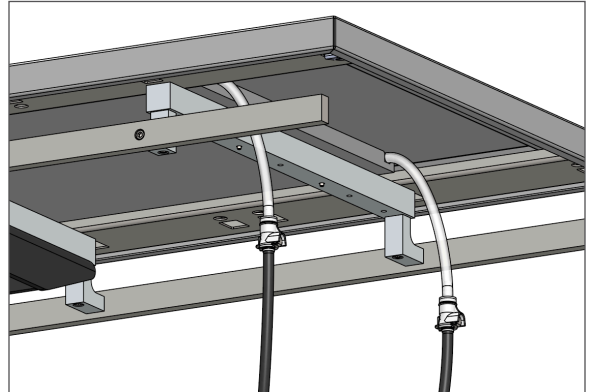
Optional Accessories

Assembly Instructions



Heated Top

If using a water heat pump connect water lines as shown. Follow pump manufacturers specifications regarding position and height of pump.



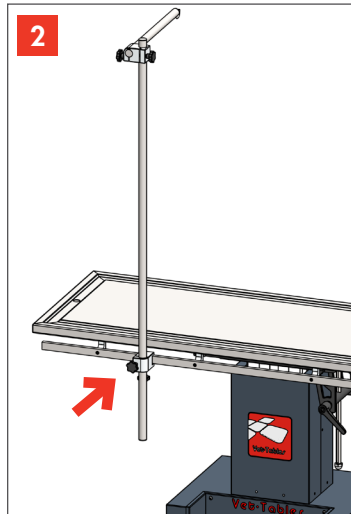
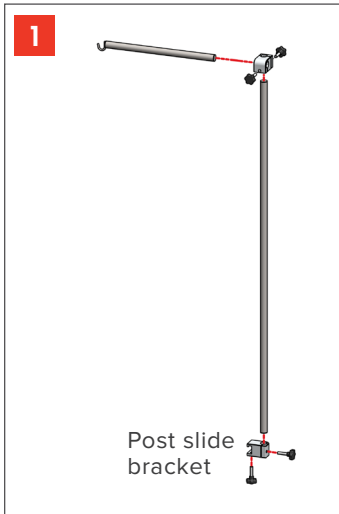
IMPORTANT for the first time you use the patient heating pump. Fill the pump, start it up and when the system is full of water, add 16 oz of water into the pump.

Optional Accessories

Assembly Instructions

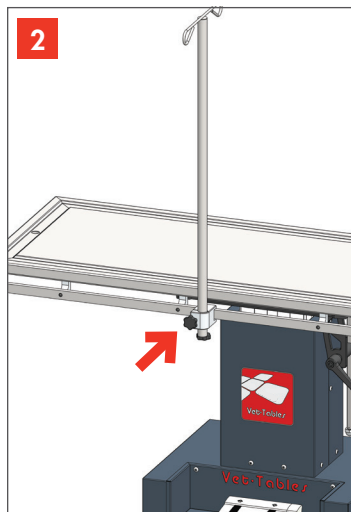
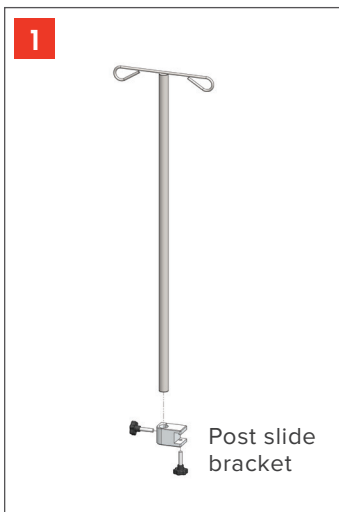


Orthopedic pole



Install optional orthopedic pole as illustrated with the use of the post slide bracket.

IV pole



Install optional IV pole as illustrated with the use of the post slide bracket.

Cleaning and Disinfection

The Vet-Tables Electric Surgery Table



Vetamac recommends cleaning and disinfecting the surgical table after each use with a Virkon solution or a similar disinfectant.





Vetamac Inc. guarantees that Vet-Tables Tables are free from manufacturing defects for a period of five (5) years from the date of delivery to the customer, provided that they are used according to instructions and that the prescribed maintenance and service are performed.

Vetamac Inc. shall not be liable for any damage, injury or loss arising out of the use of the product, whether as a result of a defect in the product or otherwise, if, prior to such damage, injury or loss, the product was:

1. Damaged, misused or misapplied;
2. Repaired, altered or modified by a person other than Vetamac Inc. or a Vetamac approved service technician;
3. Not installed in strict compliance with applicable codes and ordinances.

Vetamac Inc. only guarantees that plastic, rubber and disposable items parts and items shall be free from defects at the date of delivery to the customer.

Any product which proves to be defective in workmanship or material will, at Vetamac's discretion, either be repaired or replaced. Vetamac Inc. is not responsible for deterioration, wear or abuse. This warranty shall be void for any product on which the serial number has been altered, defaced or removed.

Freight charges to ship replacement or repaired merchandise to customer will be paid by the customer. Loaner units may be available if your unit requires repairs.

Service & information center

Vetamac Inc. is proud to offer its customers an on-line or telephone service to answer questions or concerns regarding its products.

Contact us at:

Toll-Free: 800-334-1583

Office: 765-379-3040

Fax: 765-217-4236

Email: info@vetamac.com

Website: www.vetamac.com



Made by **Vetamac**



Vetamac, Inc.
130 Roth Court Ste 100
PO Box 178
Rossville, IN 46065

Toll-Free: 800-334-1583
Office: 765-379-3040
Fax: 765-217-4236

info@vetamac.com – www.vetamac.com

